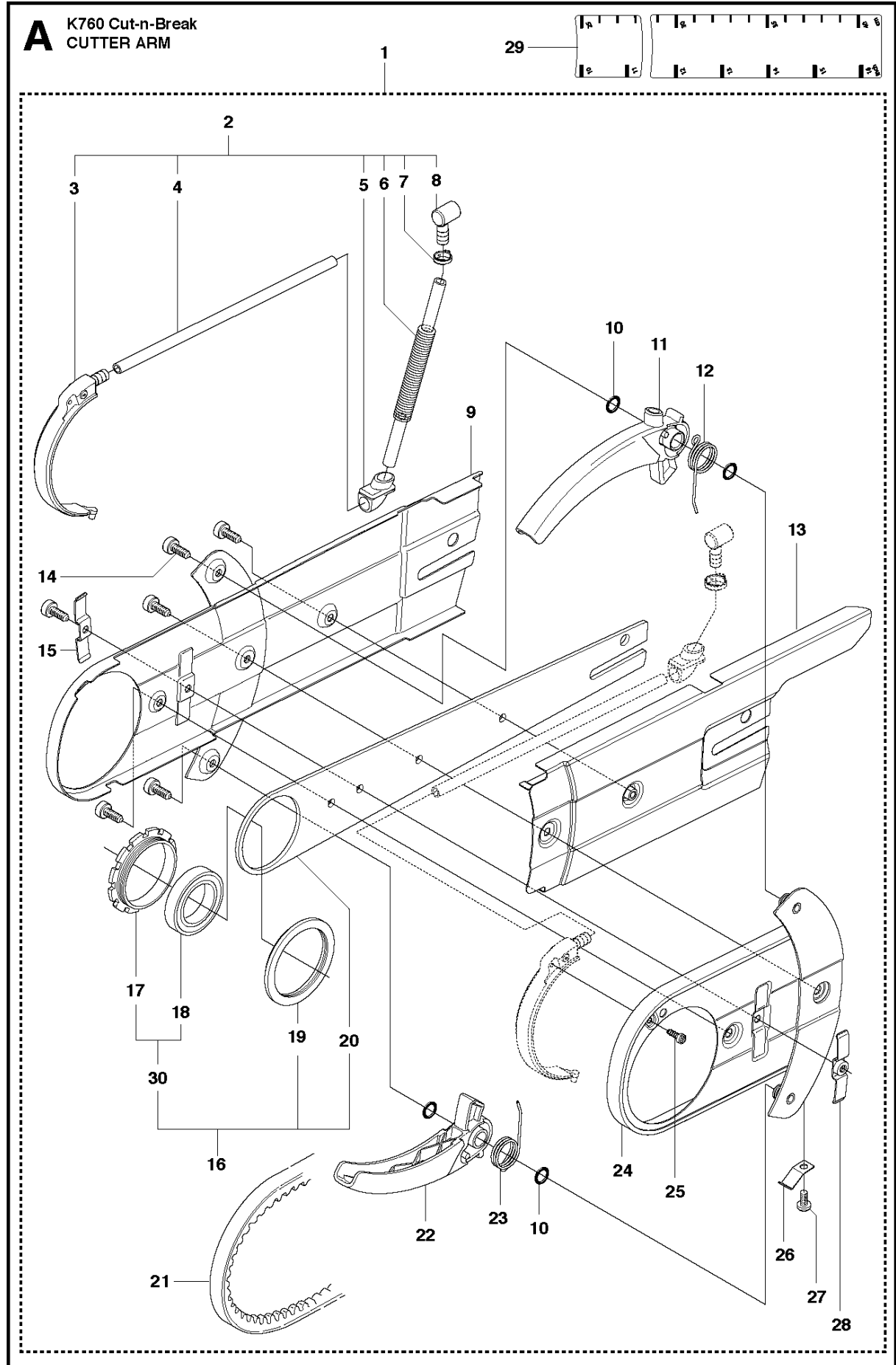




SPARE PARTS LIST

POWER CUTTERS

K760 CUT-N-BREAK, 2013-06

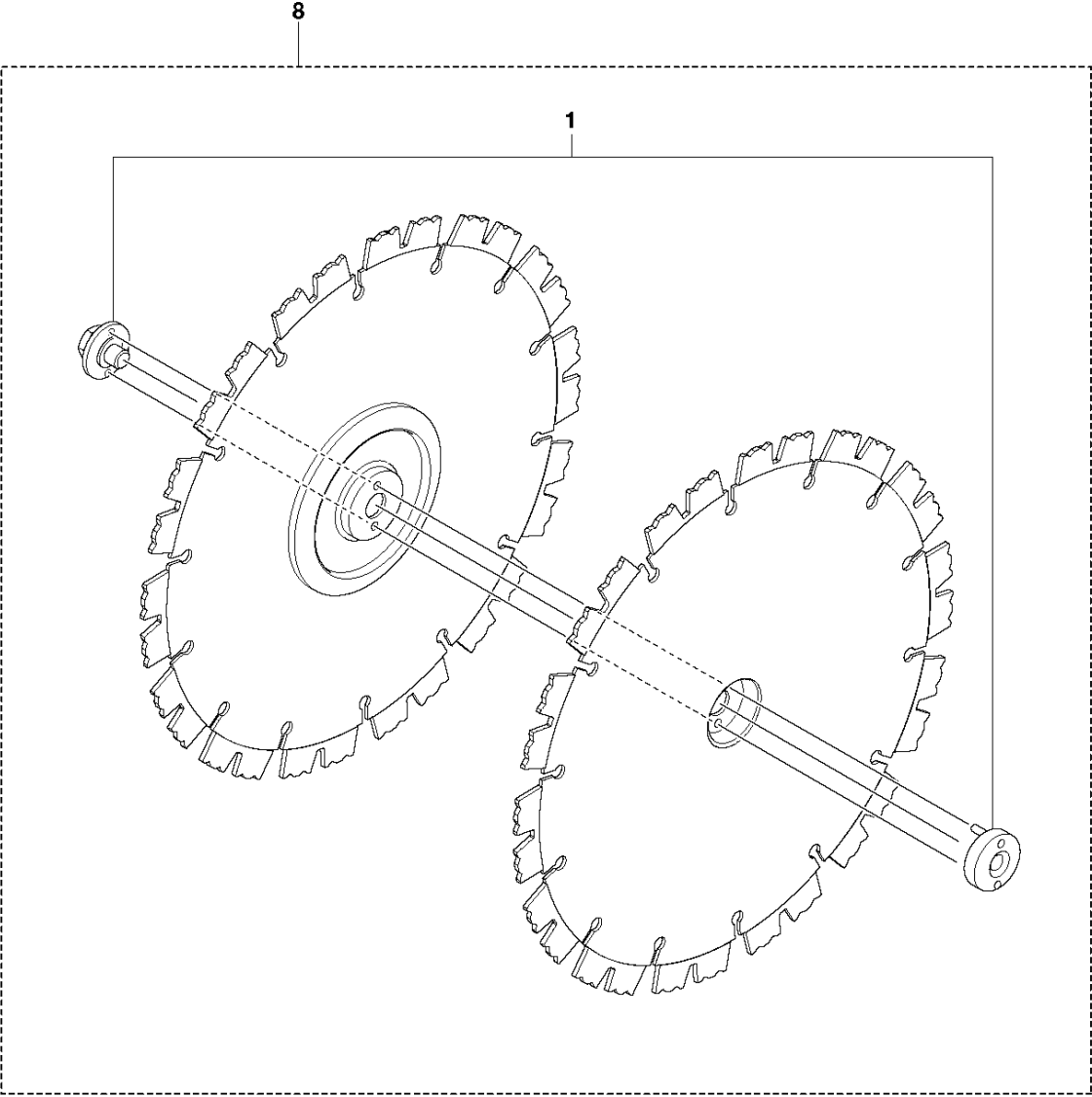


CUTTER ARM

K760 CUT-N-BREAK, 2013-06

| Ref | Part No | Description | Remark | QTY KIT |
|-----|--------------|--------------------|--------------------------|---------|
| 1 | 575 27 99-01 | CUTTER ARM | Incl. 2, 9 - 16, 21 - 28 | 1 |
| 2 | 544 10 50-04 | HOSE | Incl. 3 - 8 | 1 |
| 3 | 504 87 52-01 | SEALING | | 1 |
| 4 | 544 04 17-01 | HOSE | | 1 |
| 5 | 506 40 57-02 | GROMMET | | 1 |
| 6 | 506 35 27-02 | PROTECTIVE SPRING | | 1 |
| 7 | 506 09 56-05 | HOSE CLAMP | | 1 |
| 8 | 506 40 98-02 | NIPPLE | | 1 |
| 9 | 506 40 55-02 | BELT GUARD | | 1 |
| 10 | 503 26 30-08 | O-RING | | 4 |
| 11 | 506 40 64-03 | BLADE GUARD | | 1 |
| 12 | 506 40 61-01 | SPRING | | 1 |
| 13 | 525 56 45-01 | BELT COVER | | 1 |
| 14 | 503 21 53-10 | SCREW ITXSCM | | 6 |
| 15 | 506 40 56-01 | DEFLECTION LIMITER | | 1 |
| 16 | 544 10 37-03 | BAR | Incl. 17 - 20 | 1 |
| 17 | 506 40 28-02 | BEARING CAGE | | 1 |
| 18 | 544 10 59-01 | BEARING | | 1 |
| 19 | 506 40 29-02 | BUSHING | | 1 |
| 20 | 574 44 76-01 | BAR PLATE | | 1 |
| 21 | 506 37 27-02 | BELT | | 1 |
| 22 | 506 40 65-02 | BLADE GUARD | | 1 |
| 23 | 506 40 61-02 | SPRING | | 1 |
| 24 | 506 40 46-02 | WEAR PROTECTION | | 1 |
| 25 | 503 21 28-10 | SCREW CCRPANT | | 1 |
| 26 | 506 40 51-01 | STOP | | 1 |
| 27 | 724 12 84-01 | SCREW CRPANM | | 1 |
| 28 | 506 40 56-02 | DEFLECTION LIMITER | | 1 |
| 29 | 544 37 44-02 | LABEL | | 1 |
| 30 | 544 10 57-03 | BEARING CAGE | Incl. 17-18 | 1 |

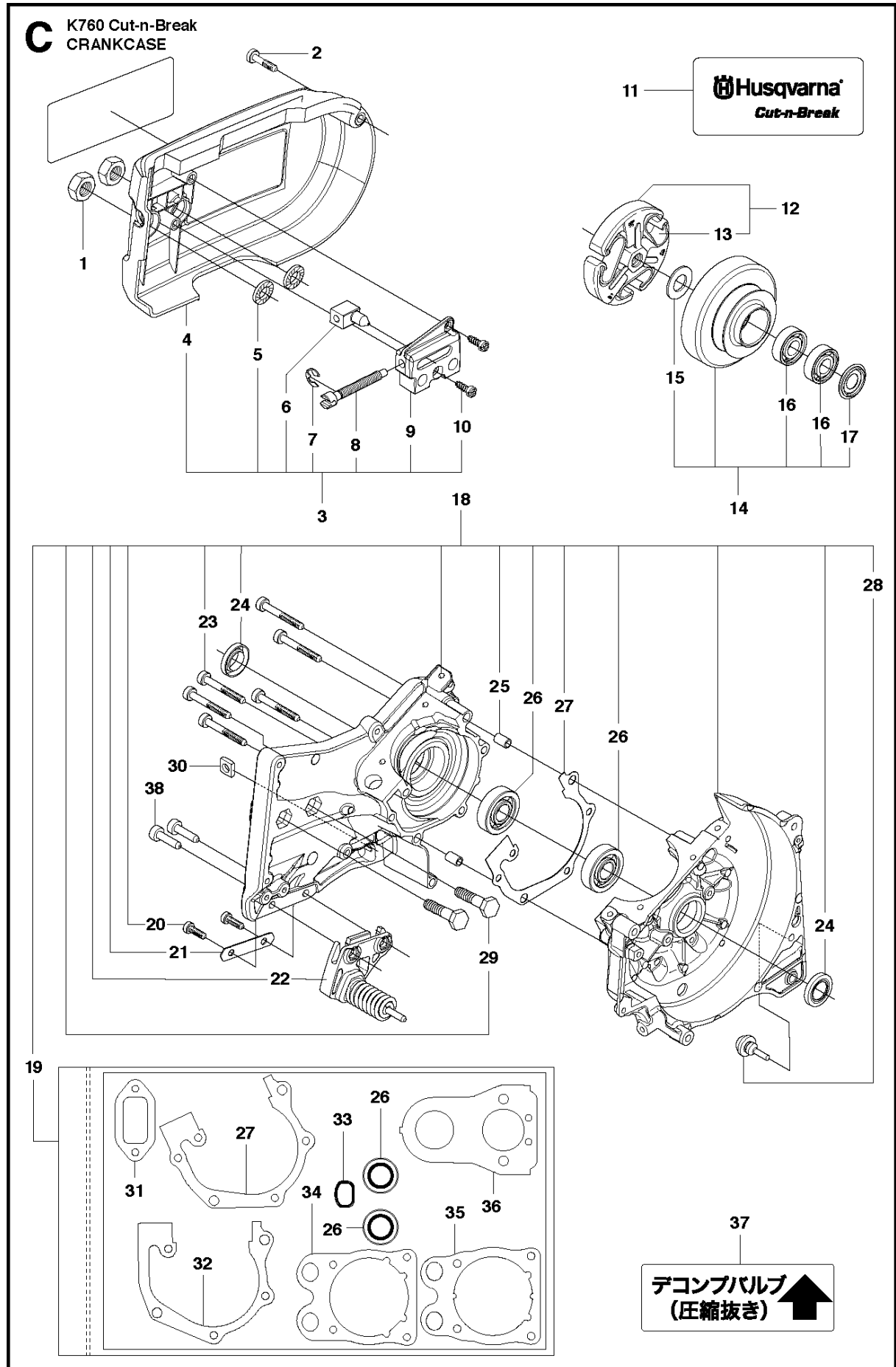
B K760 CUT-N-BREAK
CUTTING BLADE



CUTTING BLADE

K760 CUT-N-BREAK, 2013-06

| Ref | Part No | Description | Remark | QTY KIT |
|-----|--------------|---------------|-----------------|---------|
| 1 | 501 00 88-08 | SCREW KIT | | 1 |
| 8 | 574 83 62-01 | DIAMOND BLADE | EL10 CnB Soft | 1 |
| 8 | 574 83 62-02 | DIAMOND BLADE | EL35 CnB Medium | 1 |
| 8 | 574 83 62-03 | DIAMOND BLADE | EL70 CnB Hard | 1 |

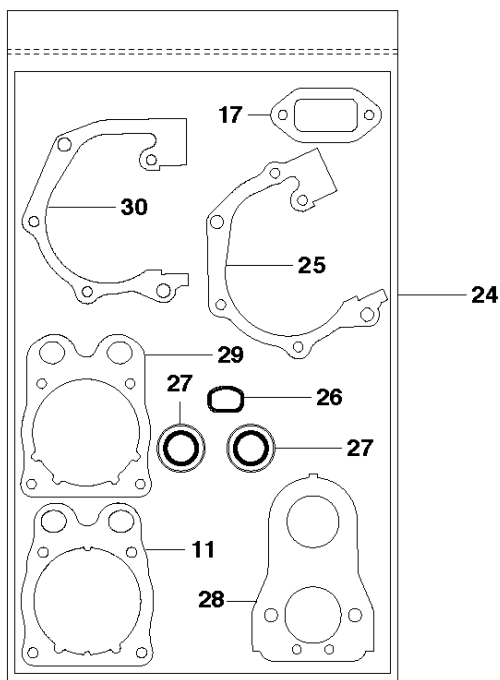
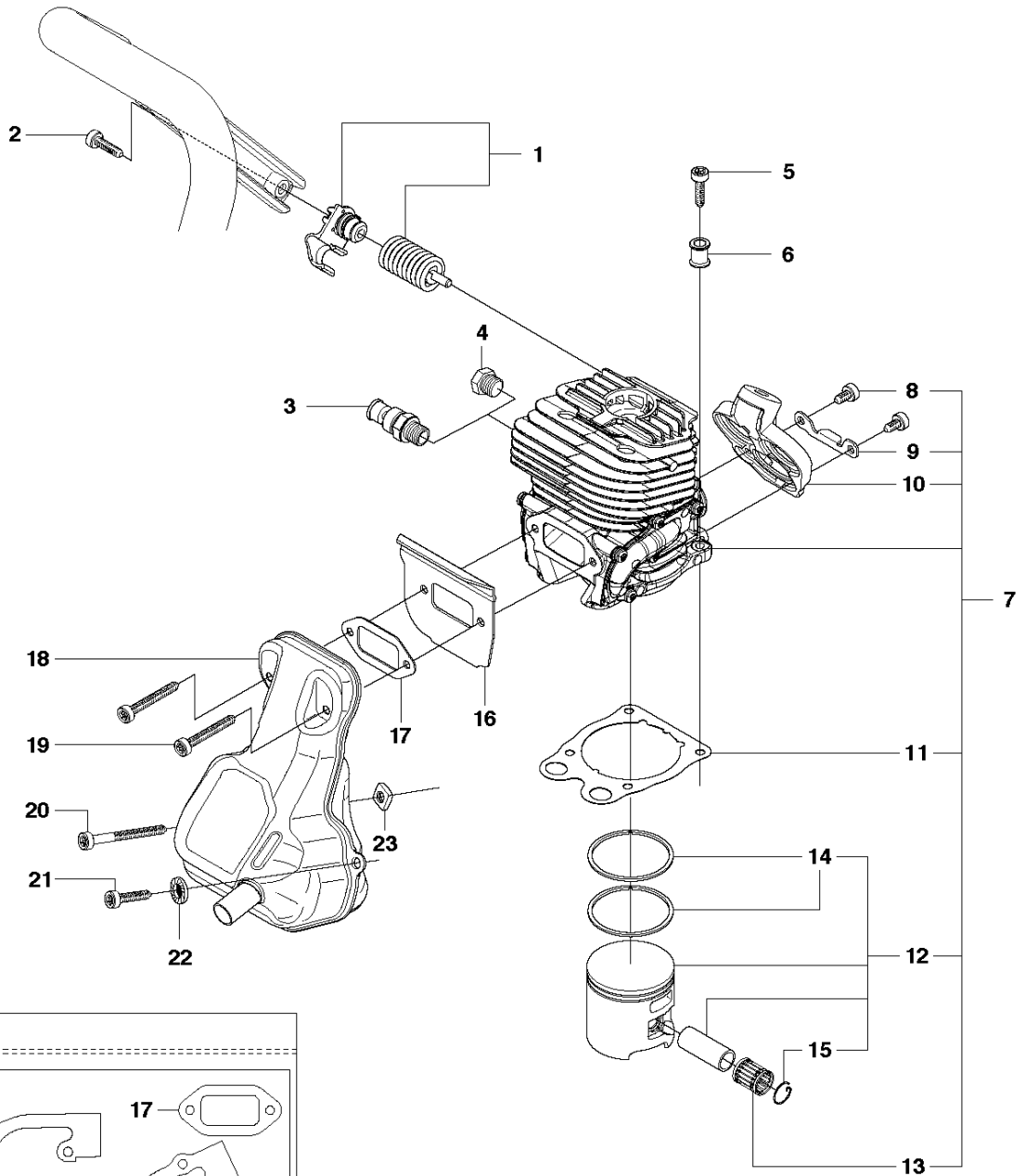


CRANKCASE

K760 CUT-N-BREAK, 2013-06

| Ref | Part No | Description | Remark | QTY KIT |
|-----|--------------|---------------------|--------|---------|
| 1 | 731 23 18-01 | HEXAGON NUT | | |
| 2 | 503 20 34-19 | SCREW CCRPANMO | | |
| 3 | 575 33 81-03 | BELT TENSIONER ASSY | | |
| 4 | 525 62 39-01 | CLUTCH COVER | | |
| 5 | 503 23 04-01 | WASHER | | |
| 6 | 574 24 09-01 | PAWL | | |
| 7 | 735 31 08-20 | E-CLIP | | |
| 8 | 575 73 21-01 | SCREW | | |
| 9 | 577 40 78-01 | BELT | | |
| 10 | 504 90 94-10 | SCREW ITXSCT | | |
| 11 | 574 48 96-01 | DECAL | | |
| 12 | 503 74 44-06 | CLUTCH ASSY | | |
| 13 | 503 74 43-01 | CLUTCH SPRING | | |
| 14 | 502 28 92-03 | DRIVING PULLEY ASSY | | |
| 15 | 503 23 00-70 | WASHER | | |
| 16 | 525 83 18-01 | BALL BEARING | | |
| 17 | 506 31 69-01 | DUST COVER | | |
| 18 | 585 06 14-01 | CRANKCASE ASSY | | |
| 19 | 581 35 74-01 | GASKET KIT | | |
| 20 | 503 21 53-16 | SCREW ITXSCT | | |
| 21 | 522 47 48-01 | PLATE | | |
| 22 | 522 47 57-01 | SPRING RETAINER | | |
| 23 | 503 21 53-41 | SCREW ITXSCT | | |
| 24 | 503 26 02-04 | SEALING RING | | |
| 25 | 501 27 08-01 | GUIDE BUSHING | | |
| 26 | 738 22 02-25 | BALL BEARING | | |
| 27 | 506 37 70-03 | GASKET | | |
| 28 | 503 84 61-01 | BUFFER | | |
| 29 | 505 22 09-37 | BAR BOLT | | |
| 30 | 503 22 65-04 | SQUARE NUT | | |
| 31 | 506 37 69-02 | GASKET | | |
| 32 | 506 37 70-02 | GASKET | | |
| 33 | 544 21 93-02 | INSERT | | |
| 34 | 506 37 67-01 | CYLINDER | | |
| 35 | 581 28 53-01 | GASKET | | |
| 36 | 506 37 68-04 | GASKET | | |
| 37 | 576 12 11-01 | DECAL | | |
| 38 | 503 21 53-20 | SCREW ITXSCT | | 2 |

D K760 Cut-n-Break
CYLINDER, PISTON & MUFFLER

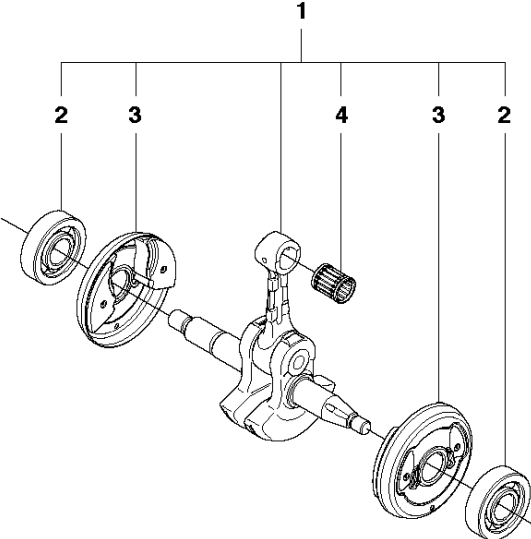


CYLINDER, PISTON & MUFFLER

K760 CUT-N-BREAK, 2013-06

| Ref | Part No | Description | Remark | QTY KIT |
|-----|--------------|-----------------------|-----------------------|---------|
| 1 | 505 42 45-01 | ANTIVIBRATION ELEMENT | | 1 |
| 2 | 544 06 12-01 | SCREW ITXSCM | | 1 |
| 3 | 503 71 53-01 | DECOMPRESSION VALVE | | 1 |
| 4 | 503 55 22-01 | PLUG | | 1 |
| 5 | 503 21 53-40 | SCREW ITXSCM | | 4 |
| 6 | 576 71 76-02 | SLEEVE | | 4 |
| 7 | 581 47 61-01 | CYLINDER ASSY | Incl. 8 - 13 | 1 |
| 8 | 503 21 53-16 | SCREW ITXSCM | | 2 |
| 9 | 506 36 88-01 | BRACKET | | 1 |
| 10 | 574 23 18-01 | PLATE | | 1 |
| 11 | 581 28 53-01 | GASKET | | 1 |
| 12 | 506 37 24-02 | PISTON ASSY | Incl. 13 - 15 | 1 |
| 13 | 577 57 24-01 | NEEDLE BEARING | | 1 |
| 14 | 503 28 90-47 | PISTON RING | | 2 |
| 15 | 737 43 12-00 | SNAP RING | | 2 |
| 16 | 506 37 58-02 | COOLING AIR CONDUCTOR | | 1 |
| 17 | 506 37 69-02 | GASKET | | 1 |
| 18 | 506 36 42-04 | MUFFLER ASSY | | 1 |
| 19 | 503 21 53-40 | SCREW ITXSCM | | 2 |
| 20 | 503 21 53-56 | SCREW ITXSCM | | 1 |
| 21 | 503 21 53-25 | SCREW ITXSCM | | 1 |
| 22 | 503 23 04-02 | WASHER | | 1 |
| 23 | 581 77 48-01 | NUT | | 1 |
| 24 | 581 35 74-01 | GASKET KIT | Incl. 11, 17, 25 - 30 | 1 |
| 25 | 506 37 70-03 | GASKET | | 1 |
| 26 | 544 21 93-02 | INSERT | | 1 |
| 27 | 503 26 02-04 | SEALING RING | Blue | 2 |
| 28 | 506 37 68-04 | GASKET | | 1 |
| 29 | 506 37 67-01 | CYLINDER | | 1 |
| 30 | 506 37 70-02 | GASKET | | 1 |

E K760 Cut-n-Break
CRANKSHAFT

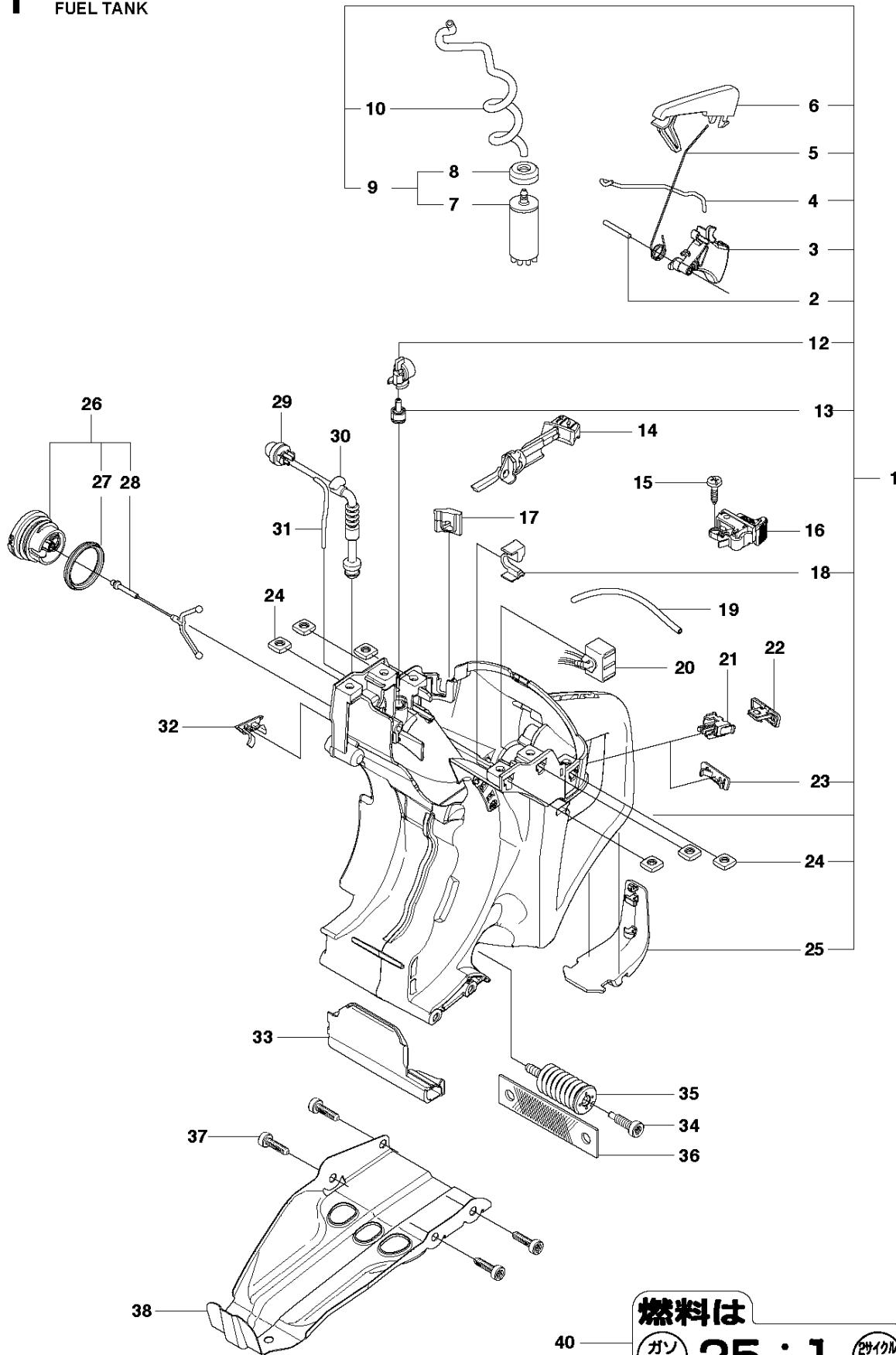


CRANKSHAFT

K760 CUT-N-BREAK, 2013-06

| Ref | Part No | Description | Remark | QTY KIT |
|-----|--------------|-----------------|-------------|---------|
| 1 | 502 29 50-02 | CRANKSHAFT ASSY | Incl. 2 - 4 | 1 |
| 2 | 738 22 02-25 | BALL BEARING | | 2 |
| 3 | 537 20 33-01 | CUP | | 2 |
| 4 | 503 25 56-01 | NEEDLE BEARING | | 1 |

F K760 CnB
FUEL TANK



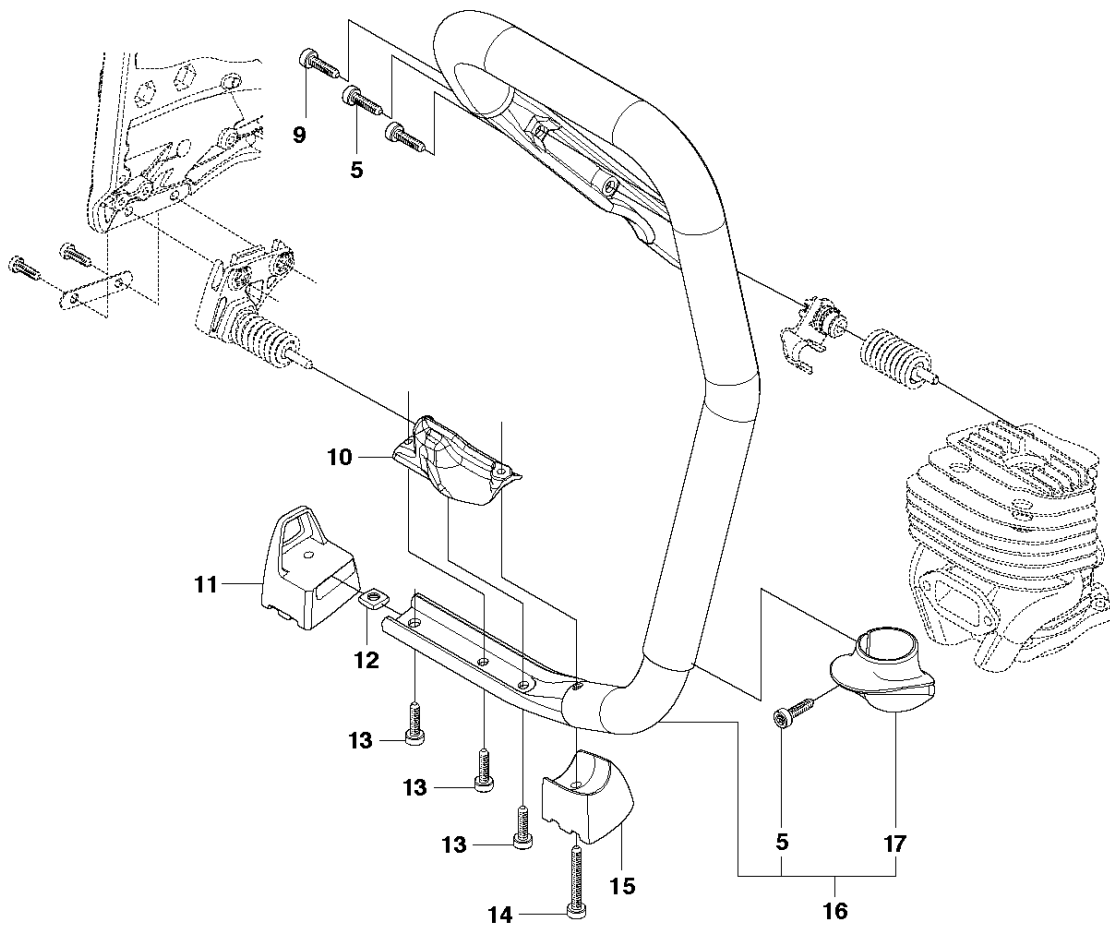
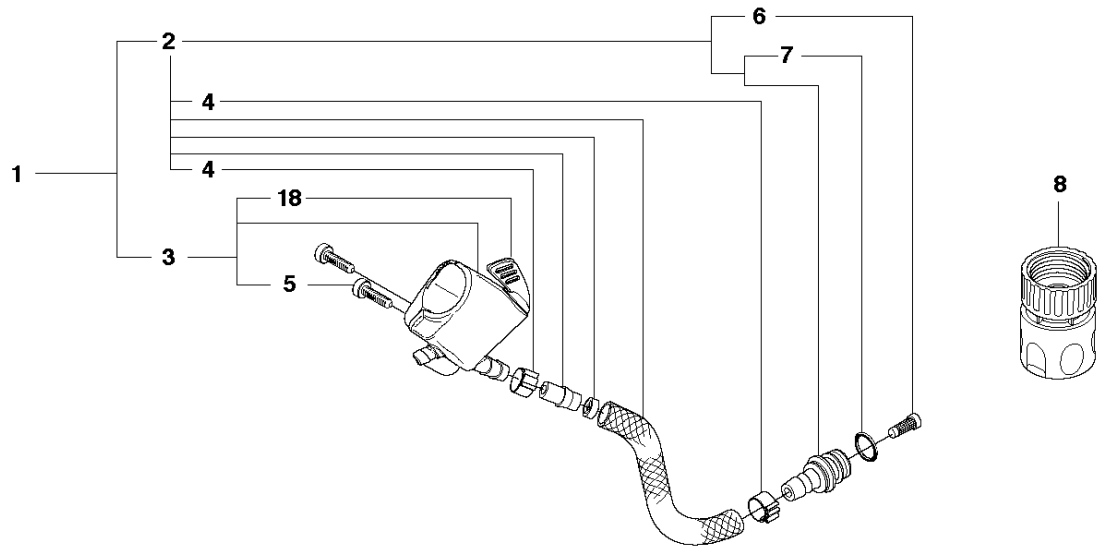
燃料は
ガソリン 25 : 1 ツヤイクル
専用オイル

FUEL TANK

K760 CUT-N-BREAK, 2013-06

| Ref | Part No | Description | Remark | QTY KIT |
|-----|--------------|-----------------------|--------------------------------|---------|
| 1 | 593 28 18-01 | FUEL TANK ASSY | Incl. 2 - 10, 12-13, 18, 23-25 | 1 |
| 2 | 720 12 40-20 | PARALLEL PIN | | 2 |
| 3 | 588 08 62-01 | THROTTLE CONTROL | | 1 |
| 4 | 579 37 92-01 | THROTTLE ROD | | 1 |
| 5 | 587 74 60-01 | SPRING | | 1 |
| 6 | 588 13 77-01 | THROTTLE LOCKOUT | | 1 |
| 7 | 506 26 41-01 | FUEL FILTER | | 1 |
| 8 | 506 27 11-01 | HOSE CLAMP | | 1 |
| 9 | 506 26 41-11 | FUEL FILTER | Incl. 7 - 8 | 1 |
| 10 | 581 75 62-03 | FUEL HOSE | | 1 |
| 12 | 577 31 35-01 | TANK VENT VALVE ASSY | | 1 |
| 13 | 501 15 29-01 | TANK VENT ASSY | | 1 |
| 14 | 544 22 90-02 | CHOKE CONTROL | | 1 |
| 15 | 525 88 74-02 | SCREW CITXPANT | | 1 |
| 16 | 506 31 86-04 | STOP SWITCH | | 1 |
| 17 | 506 37 80-01 | GROMMET | | 1 |
| 18 | 544 39 32-01 | HOSE CLIP | | 1 |
| 19 | 581 75 61-17 | FUEL HOSE | | 1 |
| 20 | 544 38 41-01 | ELECTRONIC BOX | | 1 |
| 21 | 501 01 88-01 | HOUSING | | 1 |
| 22 | 501 01 94-01 | SWITCH | | 1 |
| 23 | 501 37 13-01 | LID | | 1 |
| 24 | 581 77 48-01 | NUT | | 6 |
| 25 | 588 19 82-01 | GROUND SUPPORT | | 1 |
| 26 | 522 62 00-03 | TANK CAP ASSY | | 1 |
| 27 | 589 24 11-01 | GASKET | | 1 |
| 28 | 503 57 89-01 | HOLDER | | 1 |
| 29 | 540 05 49-01 | AIR CLEANER | | 1 |
| 30 | 505 19 52-01 | FUEL HOSE | | 1 |
| 31 | 537 04 24-14 | FUEL HOSE | | 1 |
| 32 | 506 39 46-02 | HUB CAP | | 1 |
| 33 | 506 38 15-01 | HEAT SHIELD | | 1 |
| 34 | 544 06 12-01 | SCREW ITXSCM | | 1 |
| 35 | 537 21 03-12 | ANTIVIBRATION ELEMENT | | 1 |
| 36 | 544 23 82-01 | BAND | | 1 |
| 37 | 503 21 54-20 | SCREW ITXSCT | | 4 |
| 38 | 506 37 19-02 | BASEPLATE | | 1 |
| 40 | 506 31 30-01 | LABEL | Japan Only | 1 |

G K760 Cut-n-Break
HANDLE

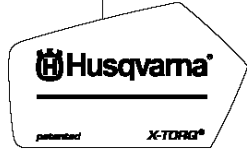
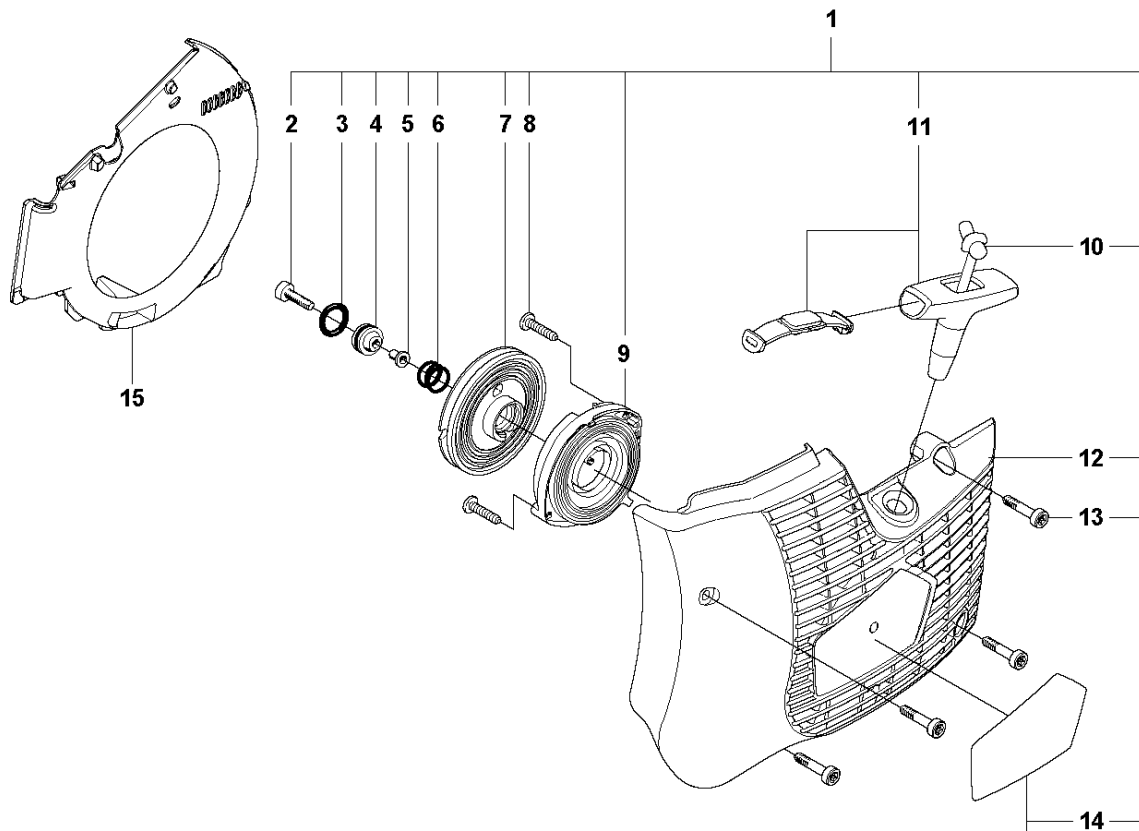


HANDLE

K760 CUT-N-BREAK, 2013-06

| Ref | Part No | Description | Remark | QTY KIT |
|-----|--------------|-------------------|----------------|---------|
| 1 | 505 09 55-03 | HOSE KIT | Incl. 2-3 | 1 |
| 2 | 575 51 62-01 | HOSE ASSY | Incl. 4-5, 7-8 | 1 |
| 3 | 506 38 60-05 | VALVE ASSY | Incl. 7 | 1 |
| 4 | 506 49 87-02 | HOSE CLAMP | | 2 |
| 5 | 503 21 54-20 | SCREW ITXSCT | | 5 |
| 6 | 506 29 88-01 | FILTER | | 1 |
| 7 | 505 10 35-01 | O-RING | | 1 |
| 8a | 503 26 60-03 | COUPLER | USA, Canada | 1 |
| 8b | 503 26 60-04 | COUPLER | | 1 |
| 9 | 544 06 12-01 | SCREW ITXSCM | | 1 |
| 10 | 575 26 77-01 | SPRING RETAINER | | 1 |
| 11 | 522 83 23-01 | GROUND SUPPORT | | 1 |
| 12 | 503 22 65-04 | SQUARE NUT | | 1 |
| 13 | 503 21 53-10 | SCREW ITXSCM | | 3 |
| 14 | 503 21 53-40 | SCREW ITXSCM | | 1 |
| 15 | 522 83 24-01 | GROUND SUPPORT | | 1 |
| 16 | 575 35 13-01 | FRONT HANDLE ASSY | Incl. 6, 17-18 | 1 |
| 17 | 506 38 71-02 | STOP | | 1 |
| 18 | 576 03 29-01 | VALVE SPINDLE | | 1 |

H K760 CUT-N-BREAK
STARTER

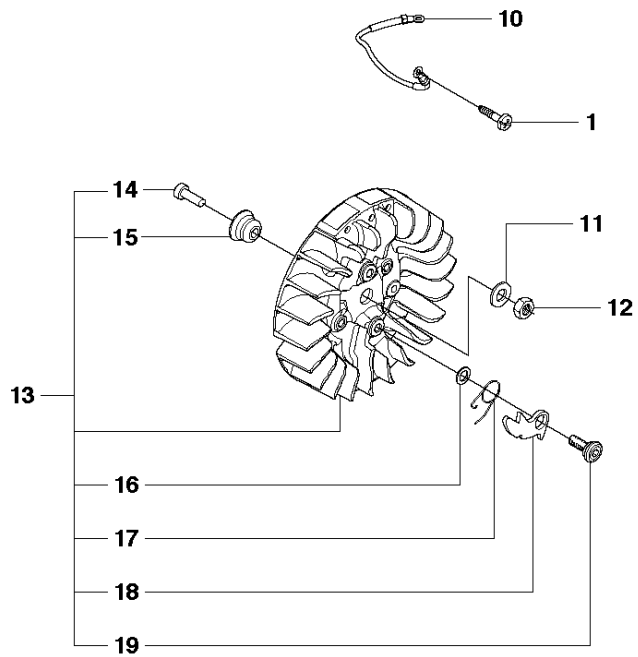
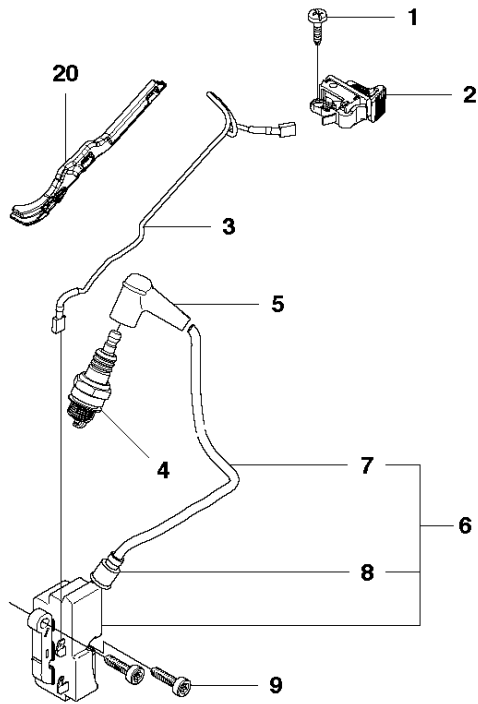


STARTER

K760 CUT-N-BREAK, 2013-06

| Ref | Part No | Description | Remark | QTY KIT |
|-----|--------------|-----------------------|--------------|---------|
| 1 | 574 36 20-05 | STARTER | Incl. 2 - 14 | 1 |
| 2 | 510 26 92-22 | SCREW ITXSCT | | 1 |
| 3 | 740 43 13-00 | O-RING | | 1 |
| 4 | 510 00 08-01 | SEALING | | 1 |
| 5 | 506 26 31-01 | SPACING SLEEVE | | 1 |
| 6 | 506 25 30-01 | COMPRESSION SPRING | | 1 |
| 7 | 506 25 81-02 | STARTER PULLEY | | 1 |
| 8 | 503 21 28-10 | SCREW CCRPANT | | 2 |
| 9 | 506 25 89-01 | RECOIL SPRING | | 1 |
| 10 | 506 33 56-15 | CORD | | 1 |
| 10 | 506 33 56-50 | STARTER CORD | 50 m | 1 |
| 11 | 584 25 79-01 | STARTER HANDLE ASSY | | 1 |
| 12 | 525 44 60-01 | STARTER COVER | | 1 |
| 13 | 501 98 10-20 | SCREW ITXSCM | | 4 |
| 14 | 525 57 11-01 | DECAL | | 1 |
| 15 | 501 85 94-01 | COOLING AIR CONDUCTOR | | 1 |

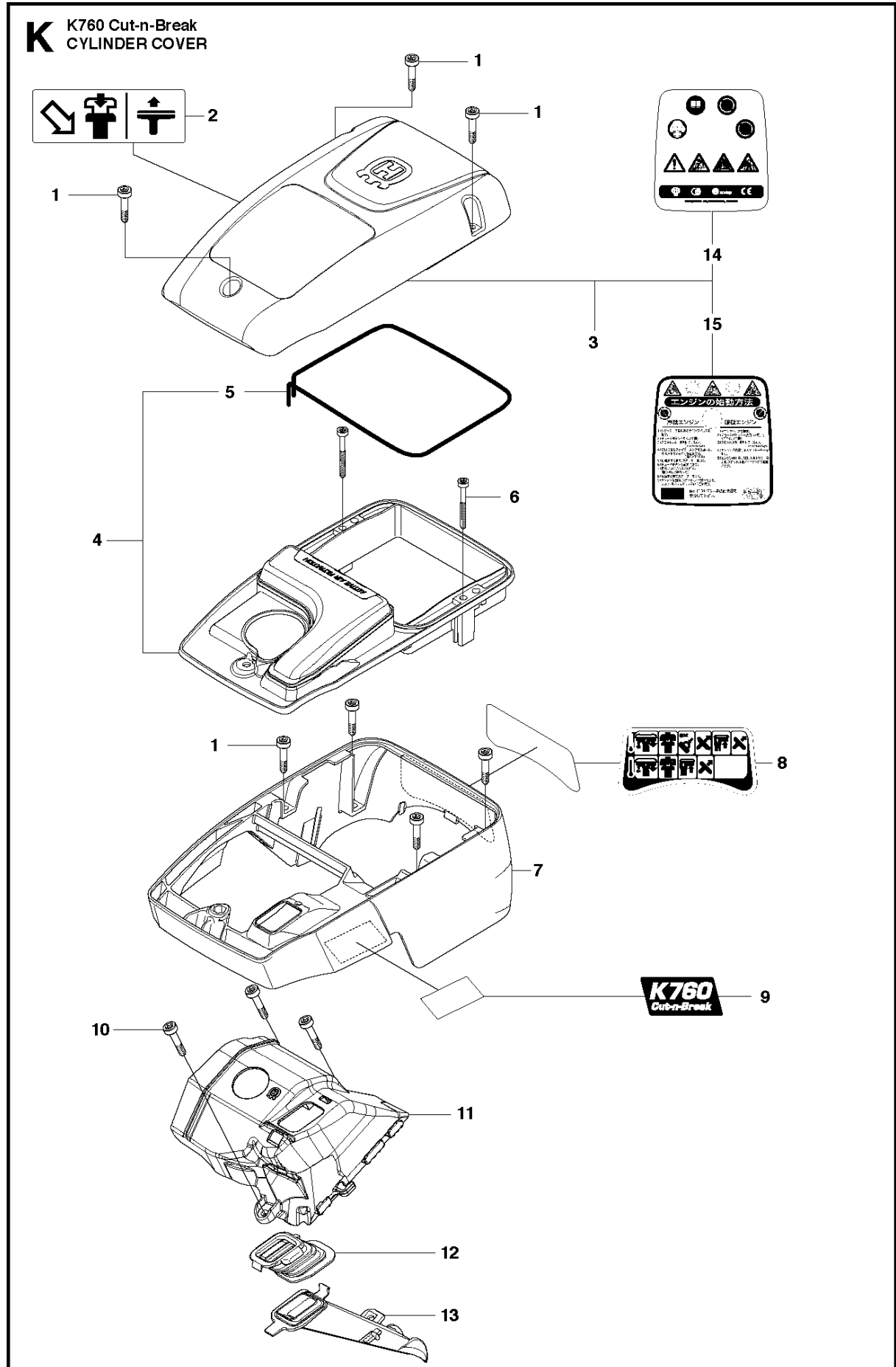
J K760 Cut-n-Break
IGNITION SYSTEM



IGNITION SYSTEM

K760 CUT-N-BREAK, 2013-06

| Ref | Part No | Description | Remark | QTY KIT |
|-----|--------------|-----------------|---------------|---------|
| 1 | 503 21 28-10 | SCREW CCRPANT | | 2 |
| 2 | 506 31 86-02 | STOP SWITCH | | 1 |
| 3 | 506 37 84-02 | CABLE | | 1 |
| 4 | 503 23 51-11 | SPARK PLUG | RCJ 6 Y | 1 |
| 5 | 590 50 45-01 | SPARK PLUG CAP | | 1 |
| 6 | 580 38 05-01 | IGNITION MODULE | Incl. 7 - 8 | 1 |
| 7 | 506 38 78-34 | IGNITION CABLE | | 1 |
| 8 | 505 27 75-16 | CABLE SLEEVE | | 1 |
| 9 | 505 57 41-20 | SCREW ITXSCM | | 2 |
| 10 | 506 37 85-01 | CABLE | | 1 |
| 11 | 503 23 01-01 | WASHER | | 1 |
| 12 | 503 22 10-11 | HEXAGON NUT | | 1 |
| 13 | 501 37 56-04 | FLYWHEEL | Incl. 14 - 19 | 1 |
| 14 | 725 53 29-56 | SCREW IHSCM | | 1 |
| 15 | 574 25 09-01 | WEIGHT | | 1 |
| 16 | 503 23 00-42 | WASHER | | 2 |
| 17 | 501 63 48-01 | SPRING | | 2 |
| 18 | 501 67 32-03 | PAWL | | 2 |
| 19 | 506 00 69-01 | SCREW | | 2 |
| 20 | 577 24 28-01 | CABLE HOLDER | | 1 |

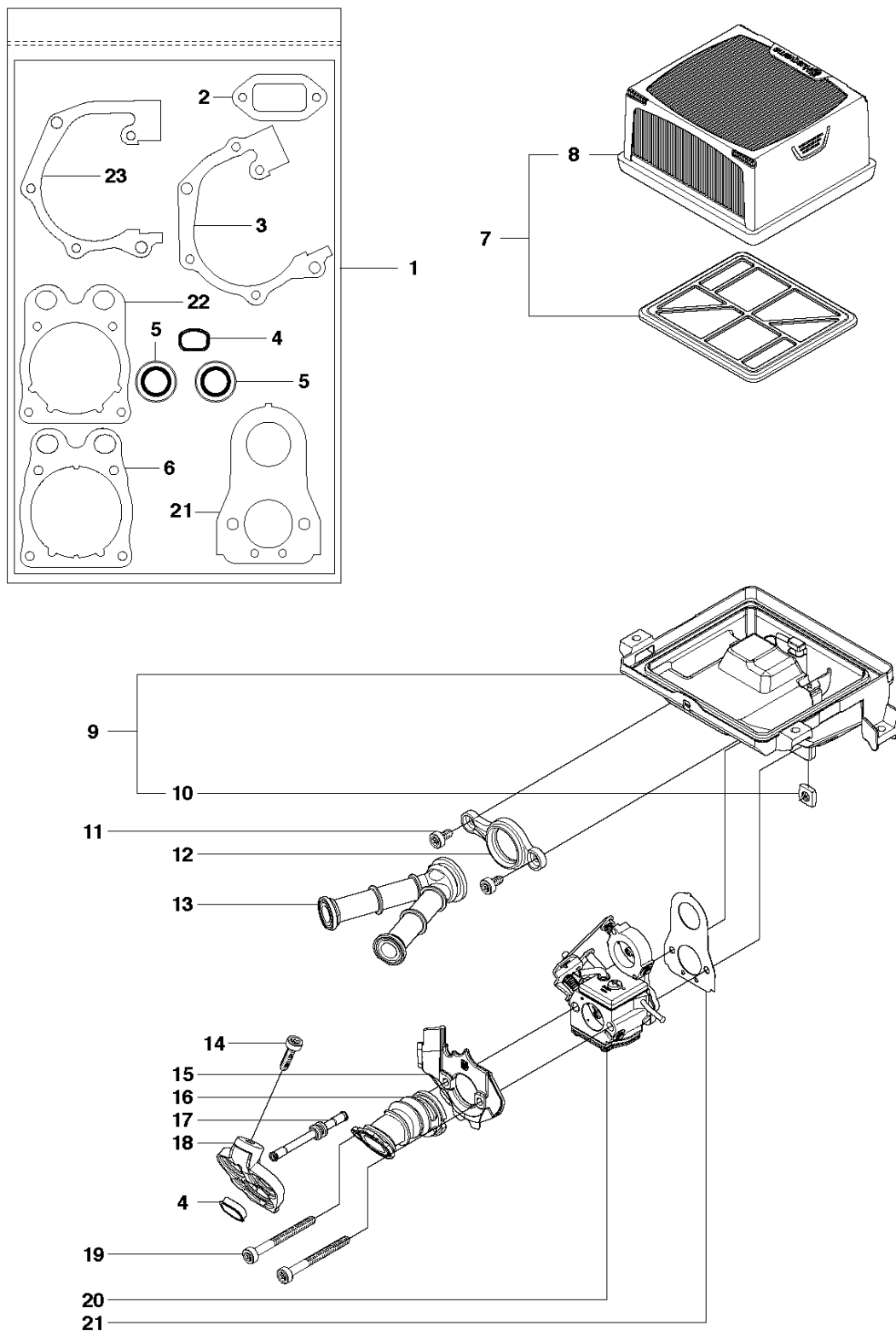


CYLINDER COVER

K760 CUT-N-BREAK, 2013-06

| Ref | Part No | Description | Remark | QTY KIT |
|-----|--------------|--------------------|------------|---------|
| 1 | 503 21 53-21 | SCREW ITXSCM | | 7 |
| 2 | 525 76 35-02 | DECAL | | 1 |
| 3 | 583 96 52-01 | FILTER COVER ASSY | incl. 14 | 1 |
| 4 | 574 36 21-01 | FILTER HOLDER ASSY | Incl. 5 | 1 |
| 4 | 574 36 21-02 | FILTER HOLDER ASSY | OIL GUARD | 1 |
| 5 | 575 35 50-01 | SEALING STRIP | | 1 |
| 6 | 503 21 53-49 | SCREW ITXSCM | | 2 |
| 7 | 506 36 70-03 | CYLINDER COVER | | 1 |
| 8 | 579 24 03-01 | DECAL | | 1 |
| 9 | 574 23 16-04 | DECAL | | 1 |
| 10 | 501 98 10-20 | SCREW ITXSCM | | 3 |
| 11 | 574 45 94-01 | COVER | | 1 |
| 12 | 506 37 04-01 | BELLOWS | | 1 |
| 13 | 525 58 43-01 | AIR NOZZLE | | 1 |
| 14 | 586 37 93-02 | DECAL | Generic | 1 |
| 15 | 576 12 09-02 | DECAL | Japan Only | 1 |

L K760 Cut-n-Break
AIR FILTER

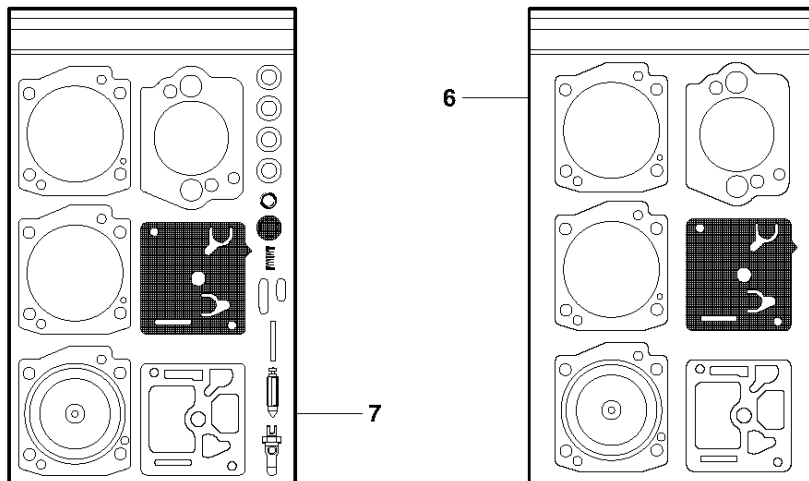
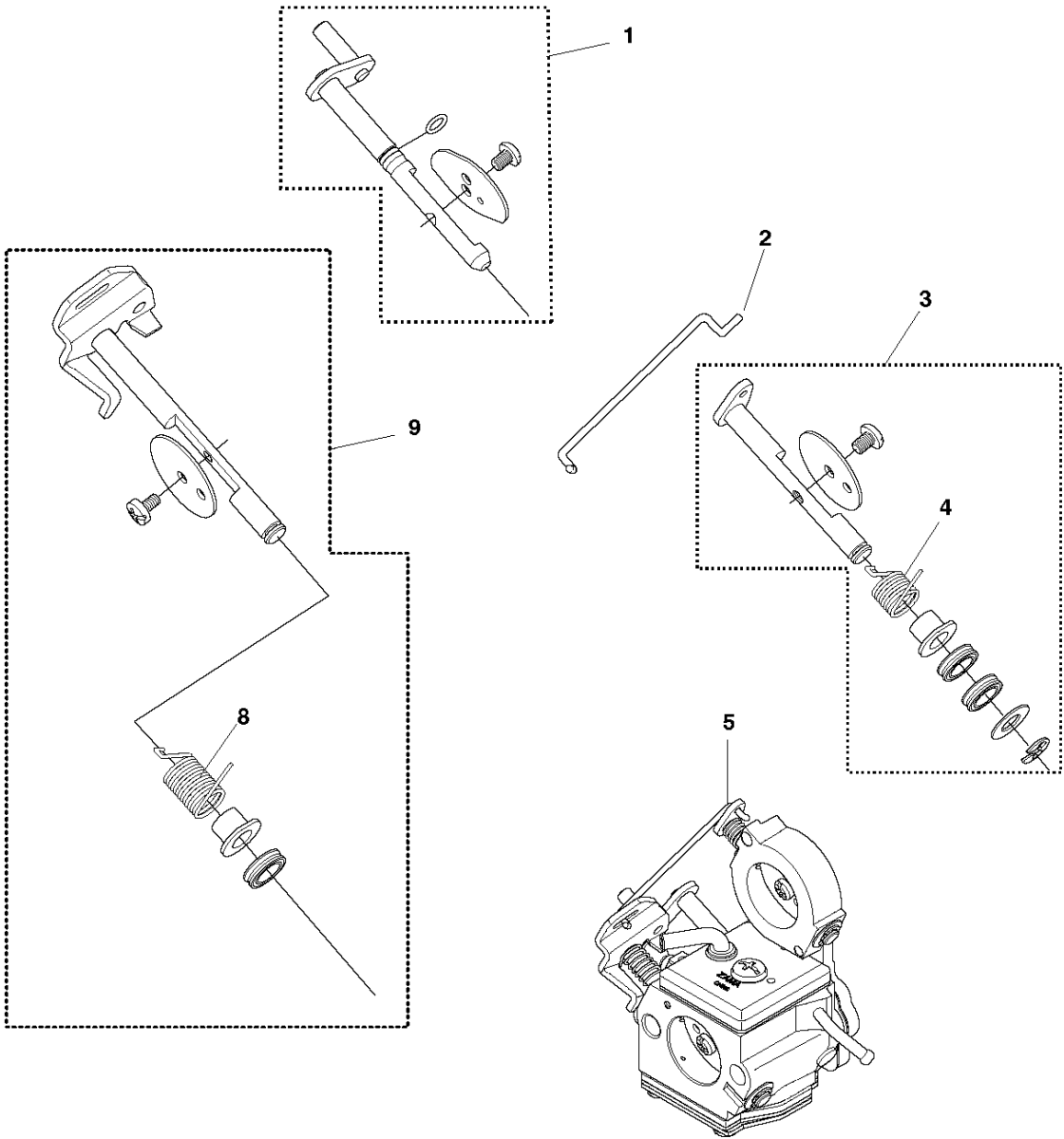


AIR FILTER

K760 CUT-N-BREAK, 2013-06

| Ref | Part No | Description | Remark | QTY KIT |
|-----|--------------|---------------------|----------------------|---------|
| 1 | 581 35 74-01 | GASKET KIT | incl. 2 - 6, 21 - 23 | 1 |
| 2 | 506 37 69-02 | GASKET | | 1 |
| 3 | 506 37 70-03 | GASKET | | 1 |
| 4 | 544 21 93-02 | INSERT | | 1 |
| 5 | 503 26 02-04 | SEALING RING | Blue | 1 |
| 6 | 581 28 53-01 | GASKET | | 1 |
| 7 | 574 36 23-01 | AIR FILTER ASSY | Incl. 8 | 1 |
| 8 | 525 47 06-01 | AIR FILTER ASSY | | 1 |
| 9 | 575 35 40-01 | CARBURETTOR BRACKET | Incl. 10 | 1 |
| 10 | 581 77 48-01 | NUT | | 4 |
| 11 | 503 21 53-10 | SCREW ITXSCM | | 2 |
| 12 | 506 37 06-01 | FLANGE INLET PIPE | | 1 |
| 13 | 525 73 32-01 | INLET PIPE | | 1 |
| 14 | 503 21 53-20 | SCREW ITXSCM | | 1 |
| 15 | 576 89 01-01 | HEAT SHIELD | | 1 |
| 16 | 525 73 31-01 | INLET PIPE | | 1 |
| 17 | 578 76 07-01 | IMPULSE HOSE | | 1 |
| 18 | 574 23 18-01 | PLATE | | 1 |
| 19 | 503 21 53-56 | SCREW ITXSCM | | 2 |
| 20 | 578 24 34-01 | CARBURETTOR | Zama C3-EL53 | 1 |
| 21 | 506 37 68-04 | GASKET | | 1 |
| 22 | 506 37 67-01 | CYLINDER | | 1 |
| 23 | 506 37 70-02 | GASKET | | 1 |

M K760 Cut-n-Break
CARBURETTOR

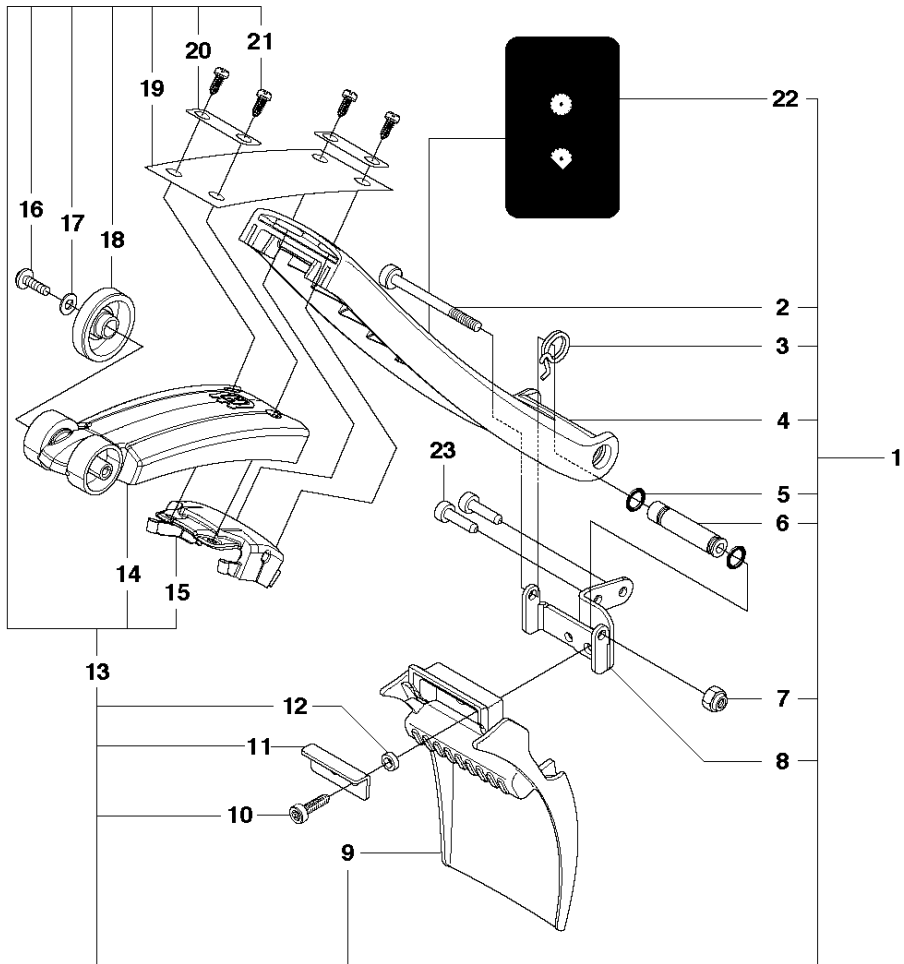


CARBURETOR

K760 CUT-N-BREAK, 2013-06

| Ref | Part No | Description | Remark | QTY KIT |
|-----|--------------|----------------|--------------|---------|
| 5 | 578 24 34-01 | CARBURETTOR | Zama C3-EL53 | 1 |
| 1 | 593 31 00-01 | CHOKE SHAFT | | 1 |
| 2 | 506 39 65-01 | ROD | | 1 |
| 3 | 593 33 29-01 | VALVE KIT | | 1 |
| 4 | 506 39 75-01 | SPRING | | 1 |
| 6 | 506 40 99-02 | GASKET KIT | | 1 |
| 7 | 506 41 00-04 | GASKET KIT | | 1 |
| 8 | 544 83 65-01 | SPRING | | 1 |
| 9 | 593 30 99-01 | THROTTLE SHAFT | | 1 |

N K760 Cut-n-Break
GROUND SUPPORT

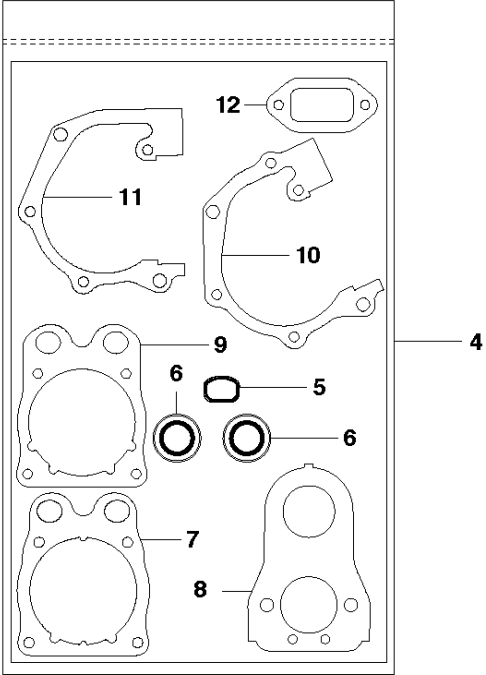
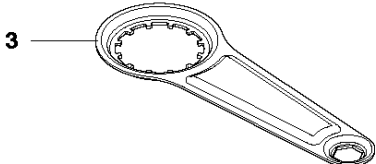
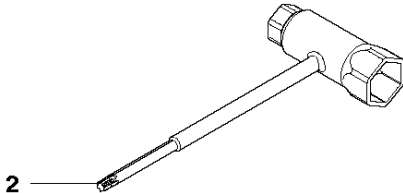
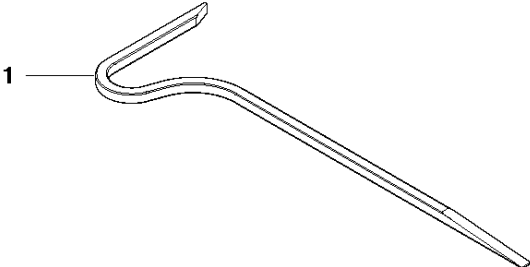


SUPPORT LEGS

K760 CUT-N-BREAK, 2013-06

| Ref | Part No | Description | Remark | QTY KIT |
|-----|--------------|--------------|------------------|---------|
| 1 | 575 34 85-01 | SPRAY GUARD | Incl. 2 - 13, 22 | 1 |
| 2 | 503 21 53-56 | SCREW ITXSCM | | 1 |
| 3 | 506 40 60-01 | SPRING | | 1 |
| 4 | 506 40 63-02 | SPRAY GUARD | | 1 |
| 5 | 740 42 05-00 | O-RING | | 2 |
| 6 | 506 40 37-01 | BUSHING | | 1 |
| 7 | 732 21 14-01 | LOCK NUT | | 1 |
| 8 | 525 73 98-01 | HOLDER | | 1 |
| 9 | 544 03 21-01 | SPRAY GUARD | | 1 |
| 10 | 503 21 53-16 | SCREW ITXSCM | | 2 |
| 11 | 544 03 22-01 | PLATE | | 1 |
| 12 | 544 03 92-01 | BUSHING | | 2 |
| 13 | 510 05 66-01 | SPRAY GUARD | Incl. 14 - 21 | 1 |
| 14 | 510 00 72-01 | SPRAY GUARD | | 1 |
| 15 | 510 00 73-01 | GUIDE | | 1 |
| 16 | 503 21 46-01 | SCREW | | 2 |
| 17 | 734 48 80-01 | WASHER | | 1 |
| 18 | 506 26 22-02 | WHEEL | | 2 |
| 19 | 510 20 24-01 | BAND | | 1 |
| 20 | 510 20 20-01 | WASHER | | 2 |
| 21 | 503 21 27-16 | SCREW CRPANT | | 4 |
| 22 | 522 03 81-01 | DECAL | | 1 |
| 23 | 503 21 53-20 | SCREW ITXSCM | | 2 |

P K760 Cut-n-Break
ACCESSORIES



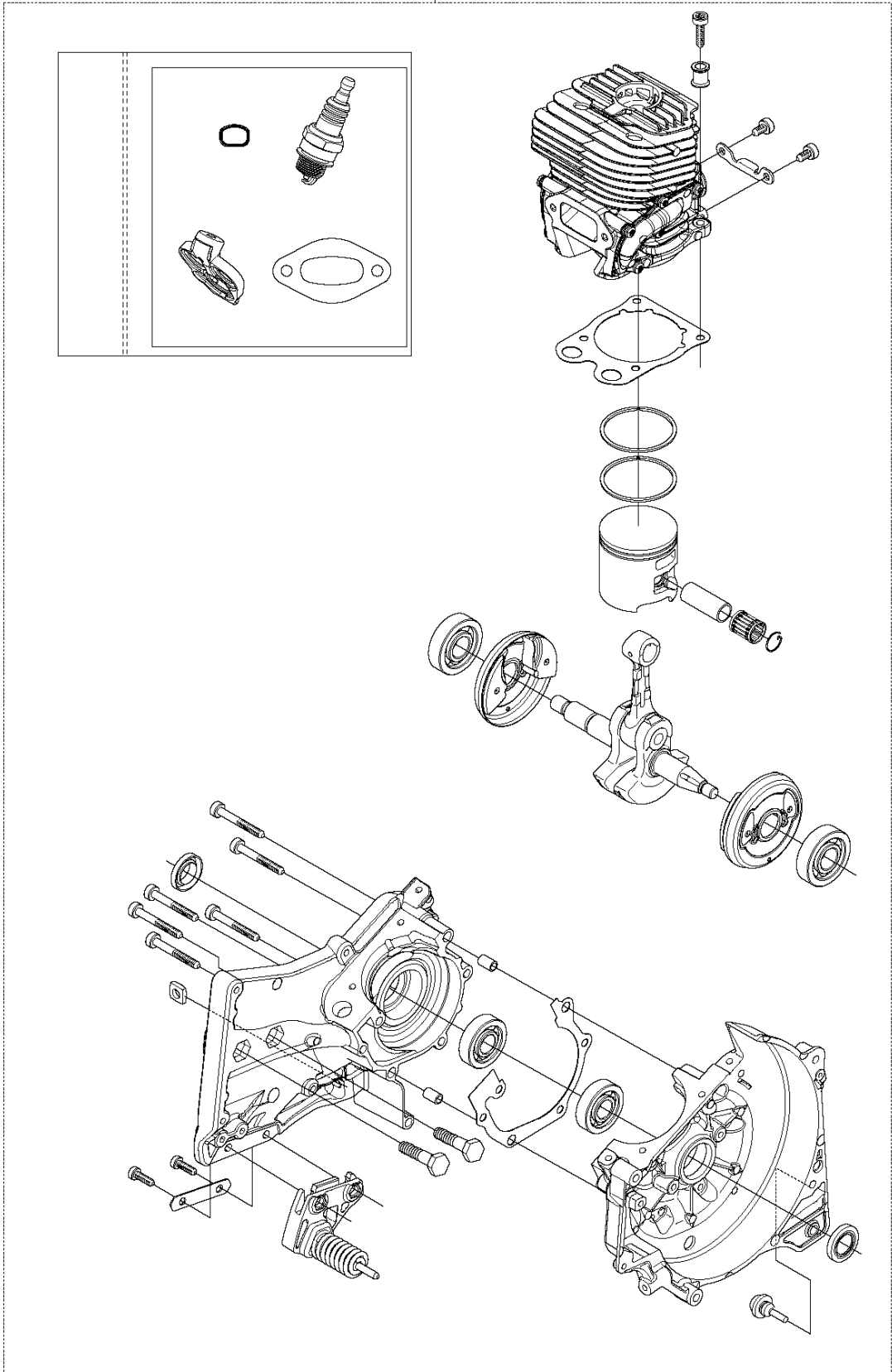
ACCESSORIES

K760 CUT-N-BREAK, 2013-06

| Ref | Part No | Description | Remark | QTY KIT |
|-----|--------------|--------------|--------|---------|
| 1 | 544 17 80-02 | TOOL | | 1 |
| 2 | 506 38 26-01 | TOOL | | 1 |
| 3 | 544 17 81-01 | PULLER | | 1 |
| 4 | 581 35 74-01 | GASKET KIT | | 1 |
| 5 | 544 21 93-02 | INSERT | | 1 |
| 6 | 503 26 02-04 | SEALING RING | | 2 |
| 7 | 581 28 53-01 | GASKET | | 1 |
| 8 | 506 37 68-03 | GASKET | | 1 |
| 9 | 506 37 67-01 | CYLINDER | | 1 |
| 10 | 506 37 70-03 | GASKET | | 1 |
| 11 | 506 37 70-02 | GASKET | | 1 |
| 12 | 506 37 69-02 | GASKET | | 1 |

Q K760 Cut-n-Break
LONGBLOCK

1



| Ref | Part No | Description | Remark | QTY KIT |
|-----|--------------|----------------|--------|---------|
| 1 | 585 06 14-02 | CRANKCASE ASSY | | 1 |